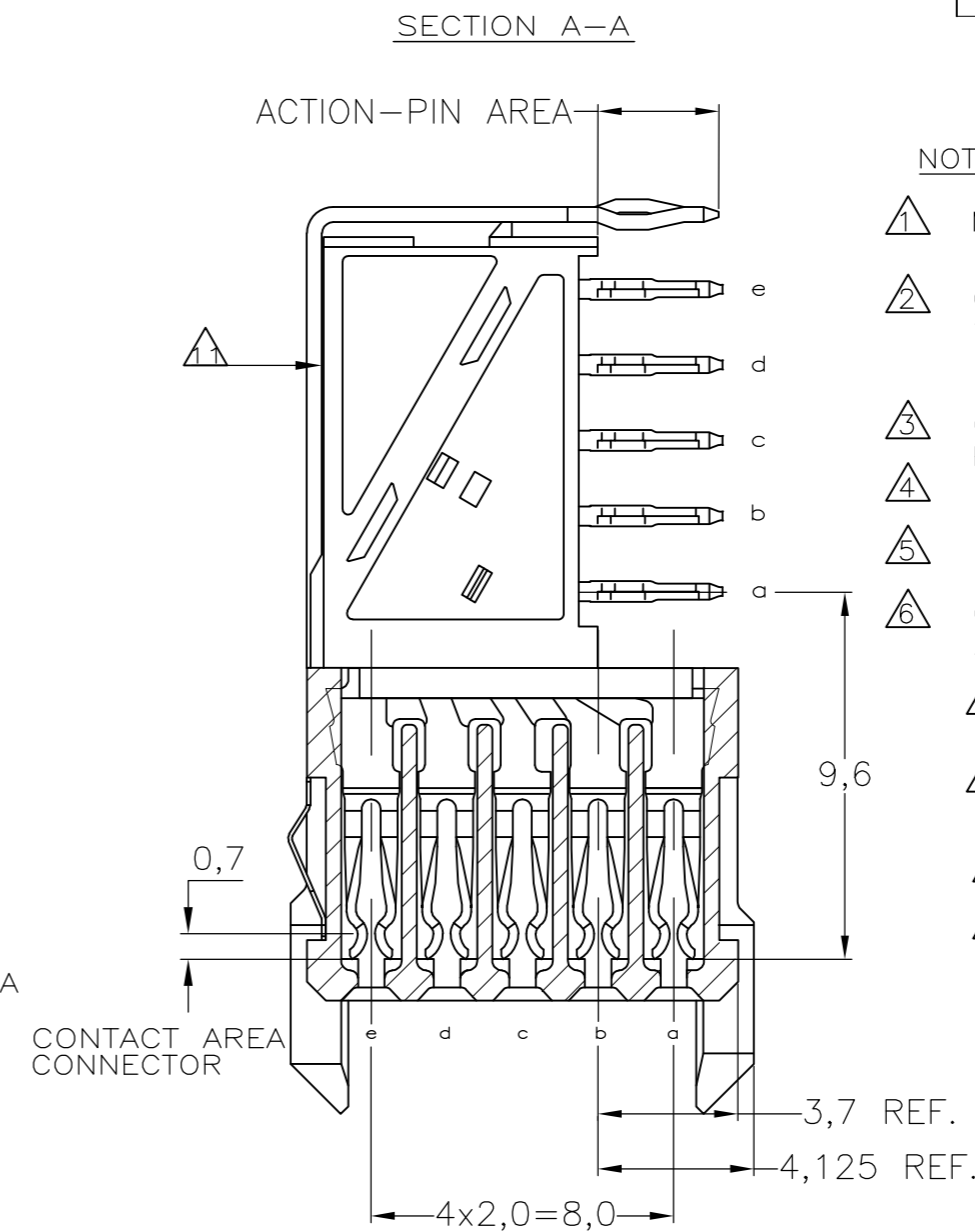
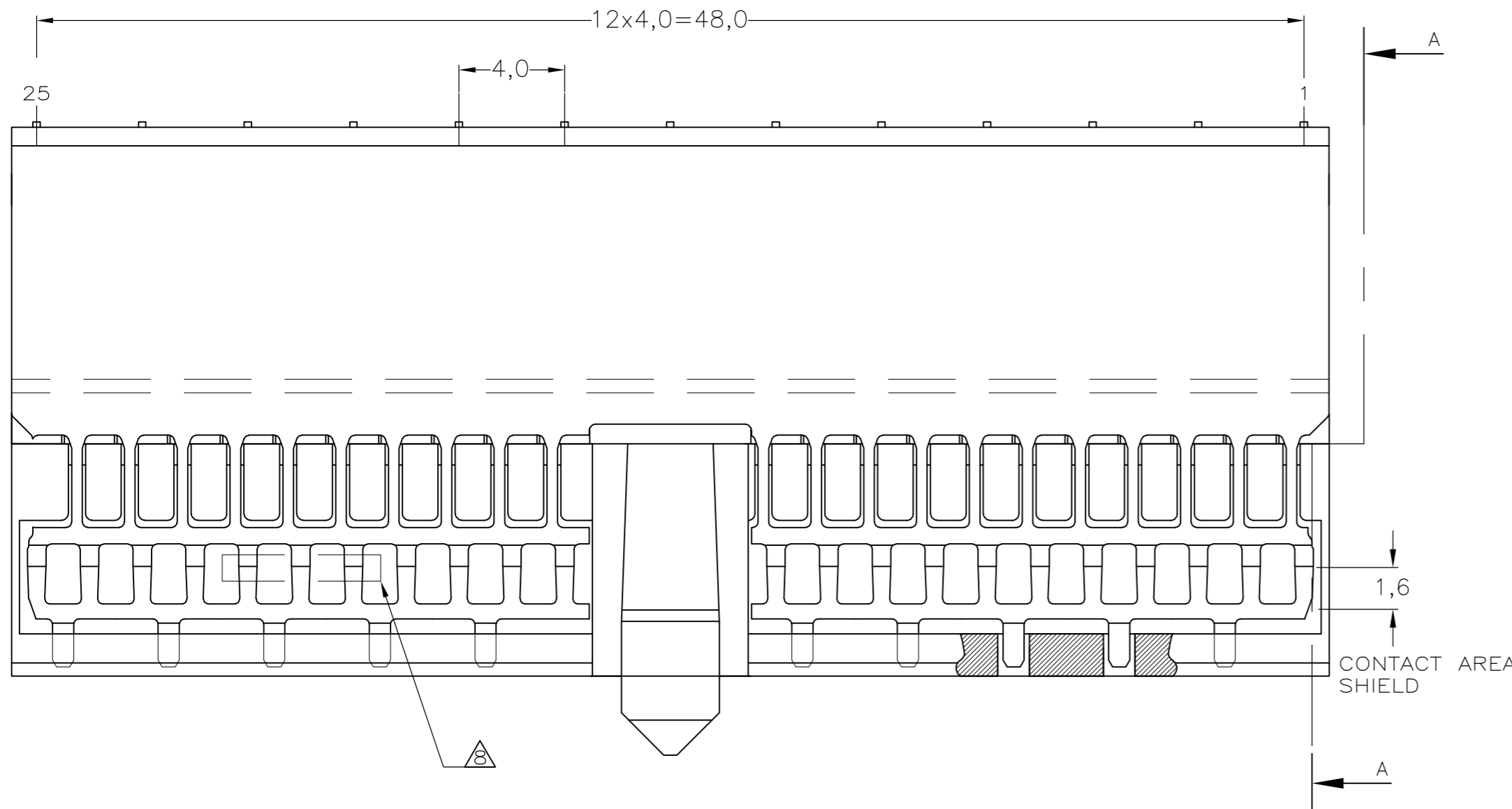
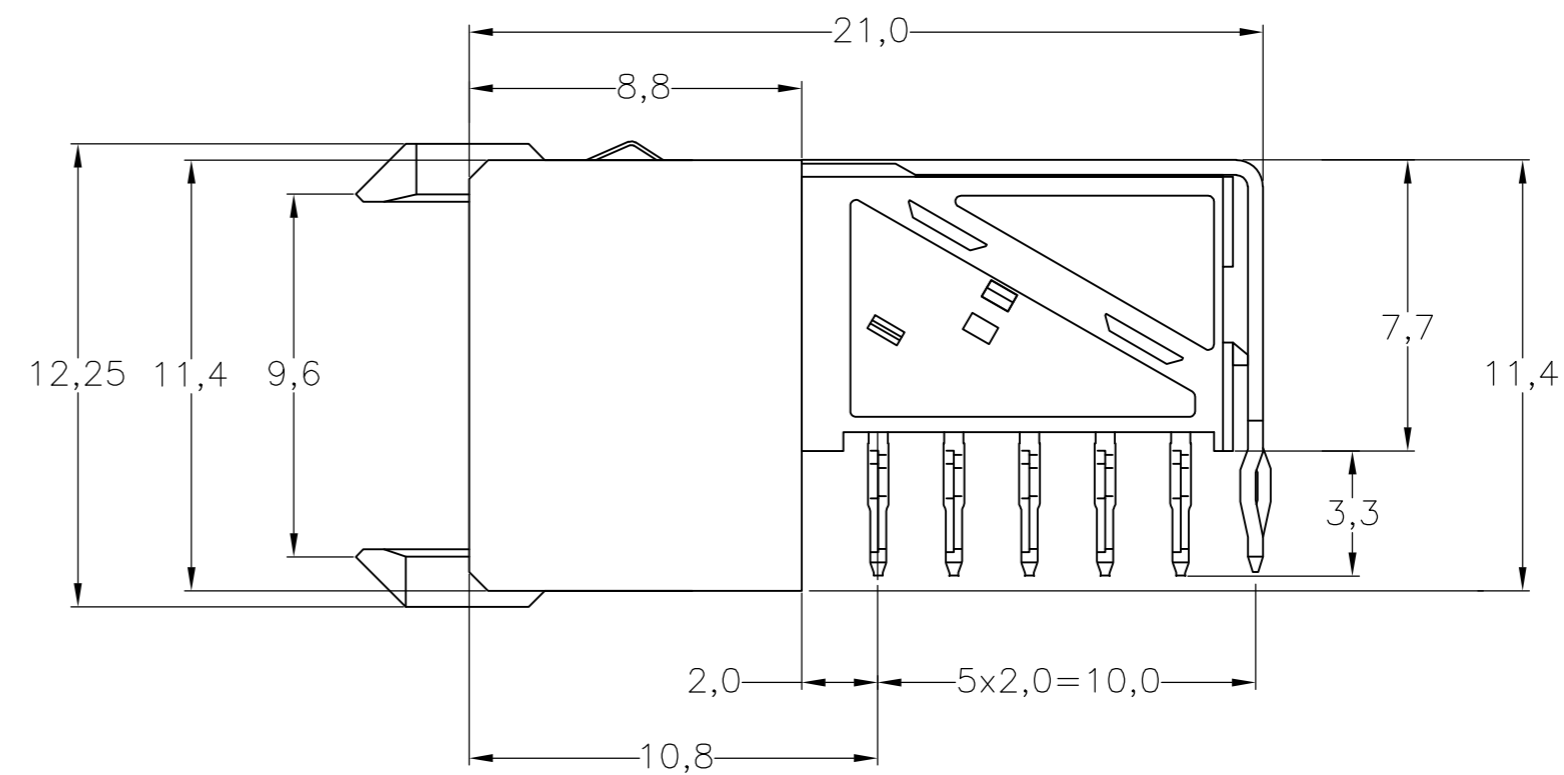
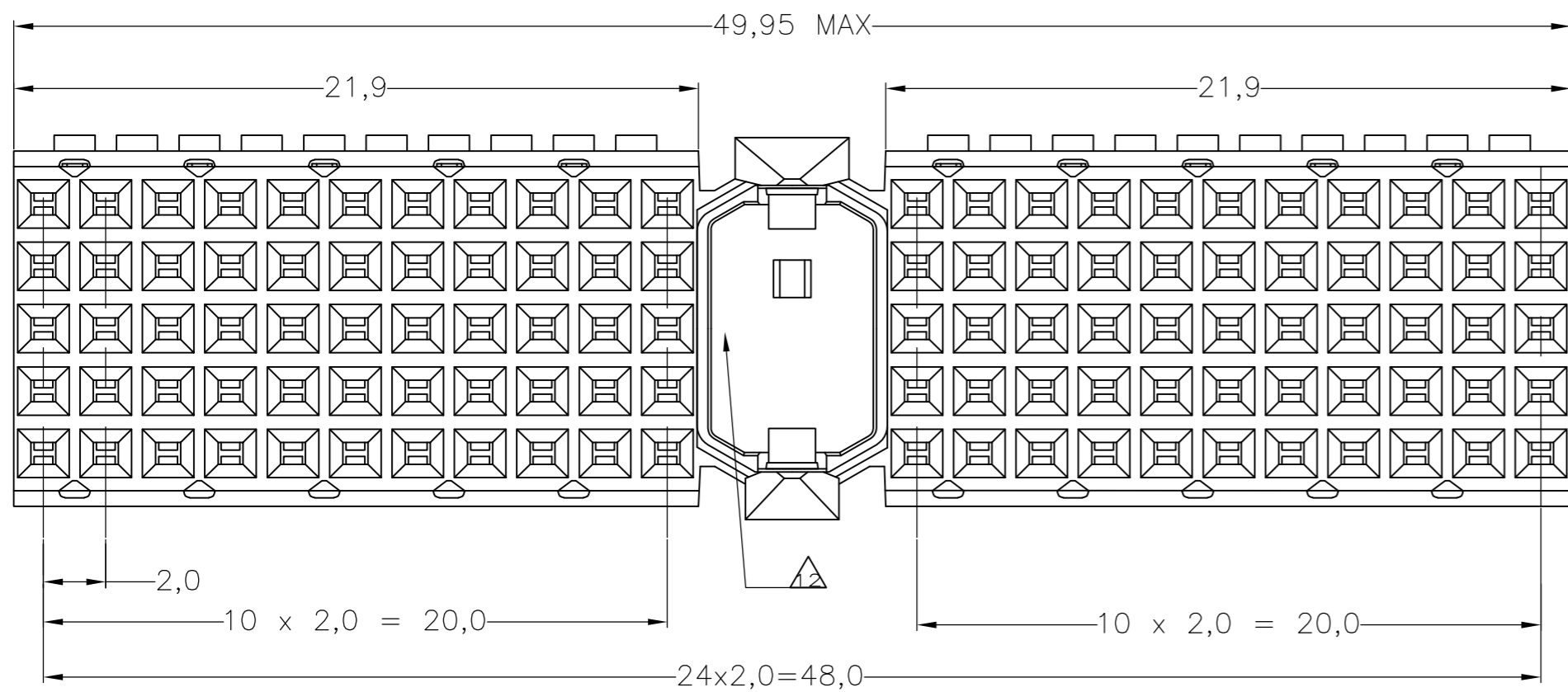


THIS DRAWING IS UNPUBLISHED. RELEASED FOR PUBLICATION
 © COPYRIGHT - By - ALL RIGHTS RESERVED.

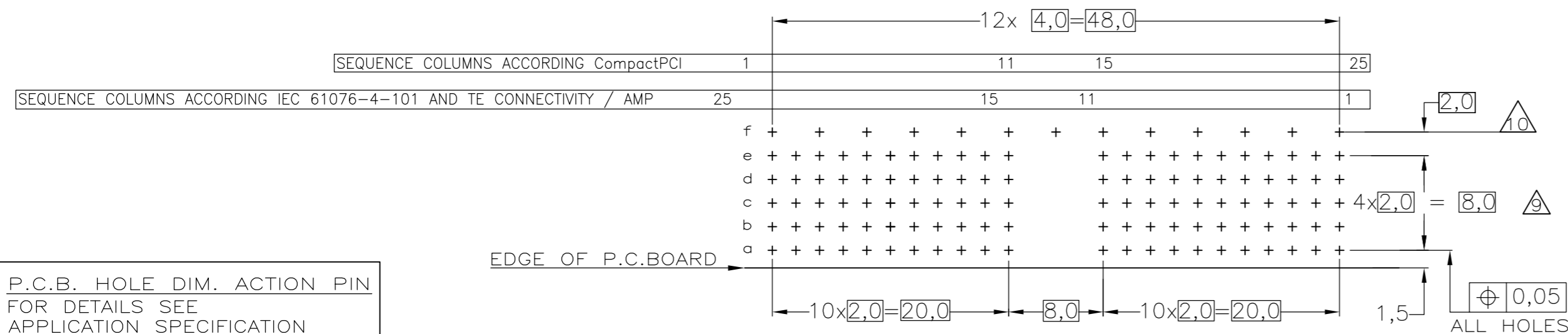
REVISIONS					
P	LTR	DESCRIPTION	DATE	DWN	APVD
N		ECR-16-013251	12JUL2017	FL	SY



- NOTES:
- 1 MATERIAL CONTACTS; PHOSPHORBRONZE
 - 2 MATERIAL HOUSING; GLASSFILLED POLYESTER (GRAY)
 - 3 GENERAL PLATING SPECIFICATION: UNDERPLATING (ENTIRE CONTACT): 1,27µm NICKEL MIN. AND ACTION PIN: 0,5µm TIN-LEAD MIN. FOR PLATING OF MATING SURFACES SEE APPLICABLE SPECIFICATION REFERENCE FOR EACH DASH NUMBER.
 - 4 CONFORMS TO ALL TESTING ACCORDING IEC 61076-4-101 PERFORMANCE LEVEL 2.
 - 5 CONFORMS TO ALL TESTING ACCORDING IEC 61076-4-101 PERFORMANCE LEVEL 1.
 - 6 CONNECTOR TESTED AND QUALIFIED AGAINST TELCORDIA GR-1217-CORE QUALITY LEVEL III, CENTRAL OFFICE APPLICATIONS.
 - 7 CONNECTOR LUBRICATED WITH TELCORDIA GR-1217-CORE APPROVED LUBRICANT.
 - 8 ASSEMBLY PRINTED WITH P/N AND DATECODE THE MARKING CAN APPEAR ON THE FRONT SIDE OR BACK SIDE.
 - 9 HOLE PATTERN FOR FEMALE CONNECTOR TYPE A 110 PLATED-THROUGH HOLES AT 2x2mm SQUARE GRID
 - 10 ROW "f" 13 PLATED THROUGH HOLES FOR UPPERSHIELD
 - 11 SHIELD MOUNTED ON CONNECTOR WITH DOUBLE SIDED ADHESIVE TAPE OR ADHESIVE
 - 12 AREA RESERVED FOR KEYING PART (BASIC P.N. 100526)
 - 13 BASIC P.N. LOWERSHIELD: 338108
 - 14 0.76µm MIN GOLD PLATING AT MATING SURFACES.



COMPONENT SIDE AS SHOWN
 RECOMMENDED PCB-HOLE LAY-OUT
 SCALE 2,5:1



OBSOLETE	2, 3, 4	3-352068-0
OBSOLETE	2, 3, 6	352068-9
	2, 4	352068-4
	2, 3	352068-1
	FINISH	MATERIAL
		PARTNUMBER

THIS DRAWING IS A CONTROLLED DOCUMENT.

DWN: D. TRUREN 20JAN97
 CHK: -
 APVD: -

TE Connectivity

Z-PACK 2MM HM
 TYPE A - 25 COLUMNS
 PRE-SHIELDED RECEPTACLE

PRODUCT SPEC: 108-19082
 APPLICATION SPEC: 114-19029

WEIGHT: 0.000000
 CUSTOMER DRAWING

SIZE: A2
 CAGE CODE: 00779
 DRAWING NO: C=352068

RESTRICTED TO: -

SCALE: NTS
 SHEET: 1 of 1
 REV: N

Mouser Electronics

Authorized Distributor

Click to View Pricing, Inventory, Delivery & Lifecycle Information:

[TE Connectivity:](#)

[352068-1](#)